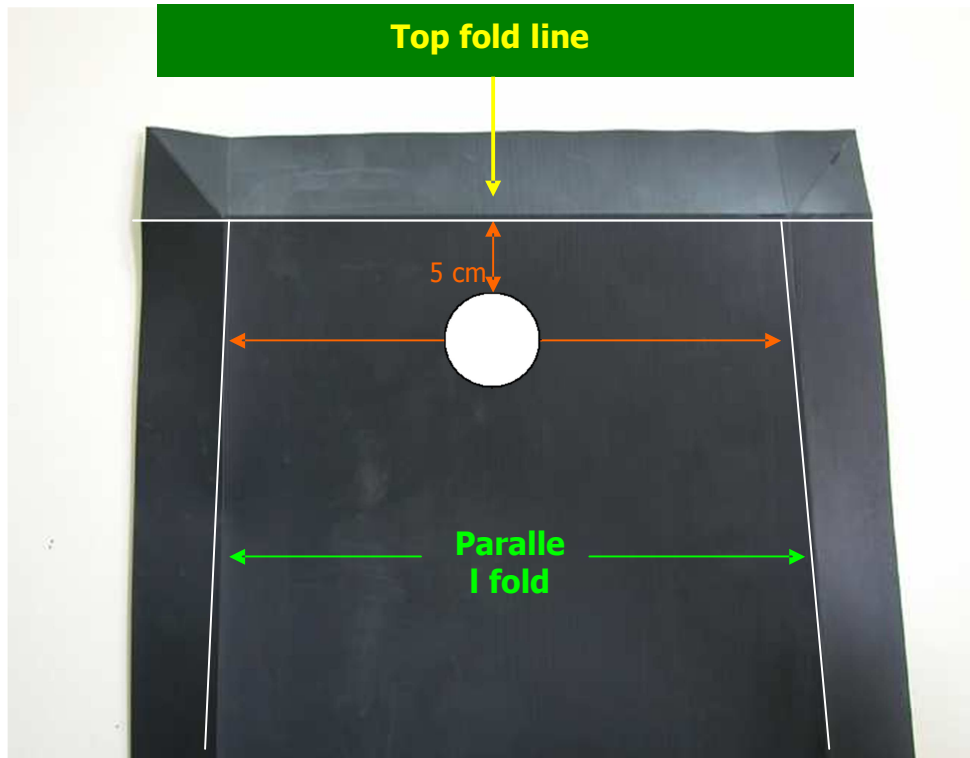


## Placing of the Drainage Hole & Drainage 1¼ End Unit on Trough

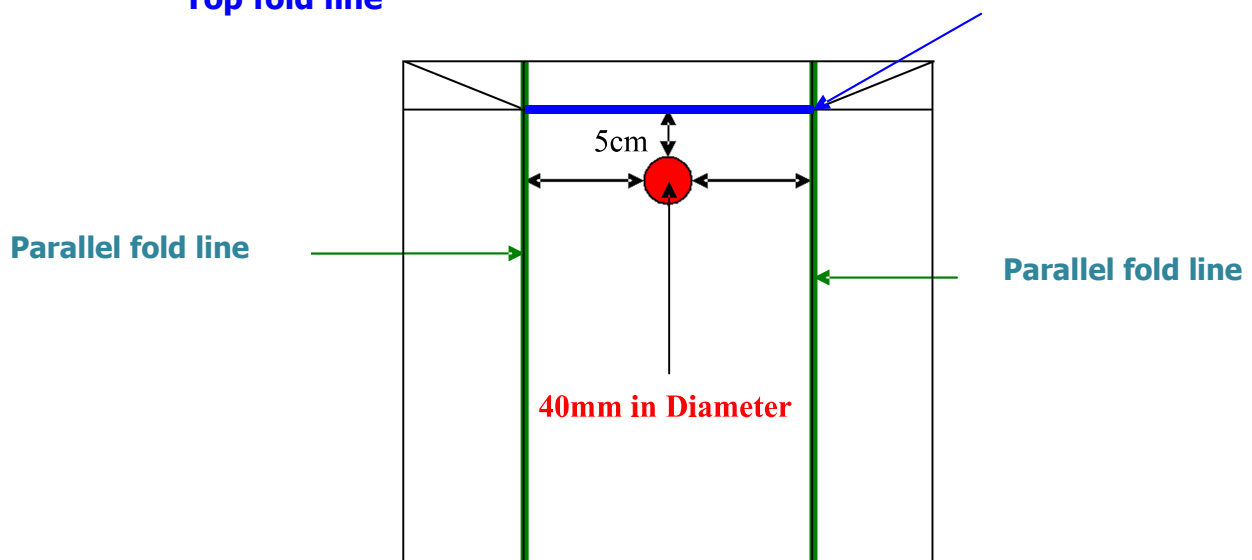


The hole should be made in the center, between the 2 **fold lines**  
(exp: 6.5-90-6.5 –The center would be 90 and the hole should be at 45cm from each side)

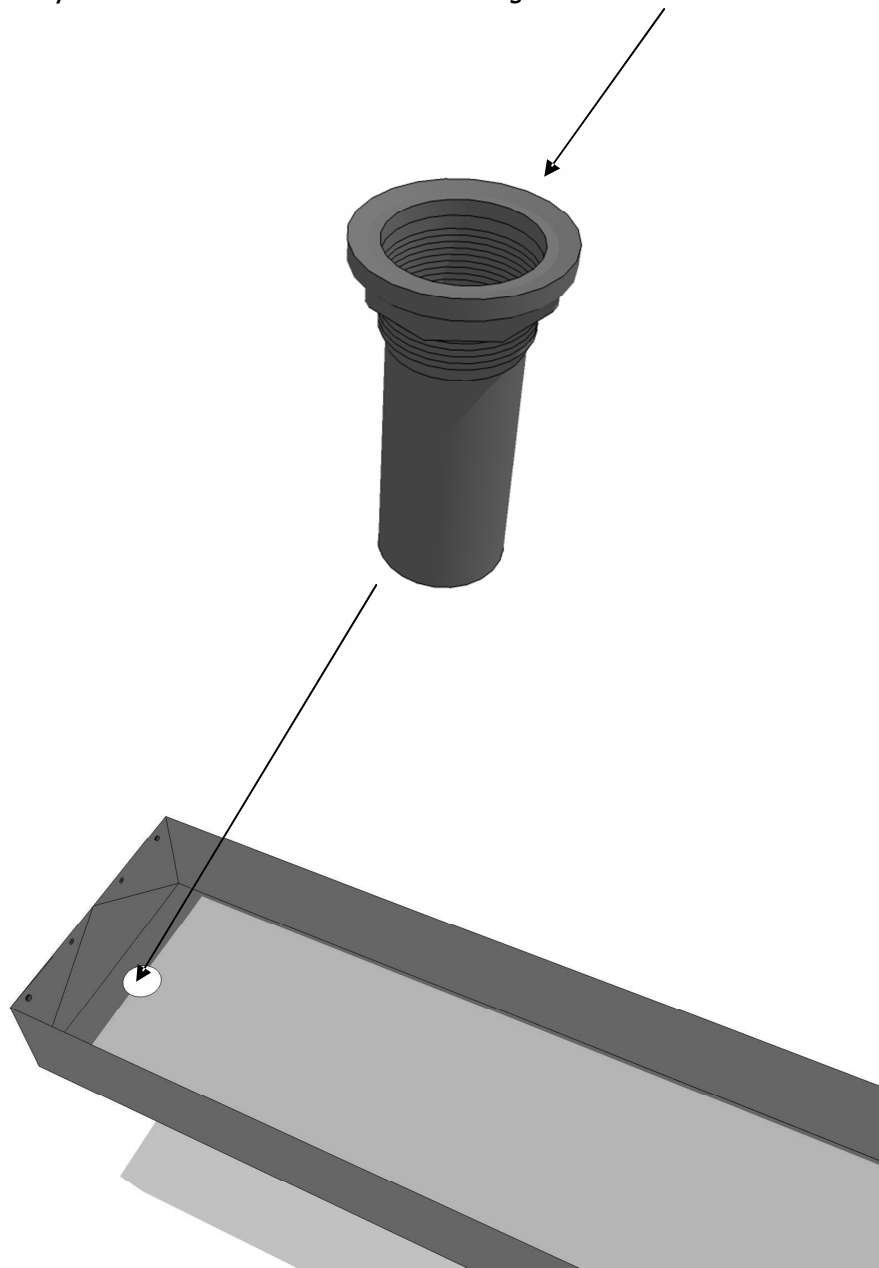
The hole should be 5 centimeters from the top **fold line**.

The diameter of the **hole** should be **40mm** in diameter.

**Top fold line**

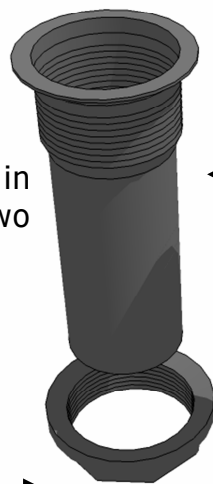


Once the hole has been made and the end folded and closed with the rivets, you can insert the 1 ¼ " drainage unit



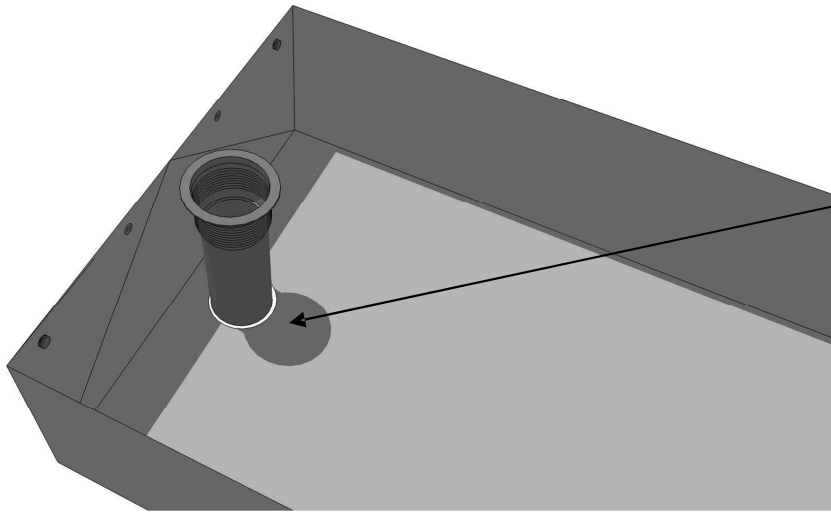
The drainage end unit arrives in one piece, comprised of two elements:

Lock Nut



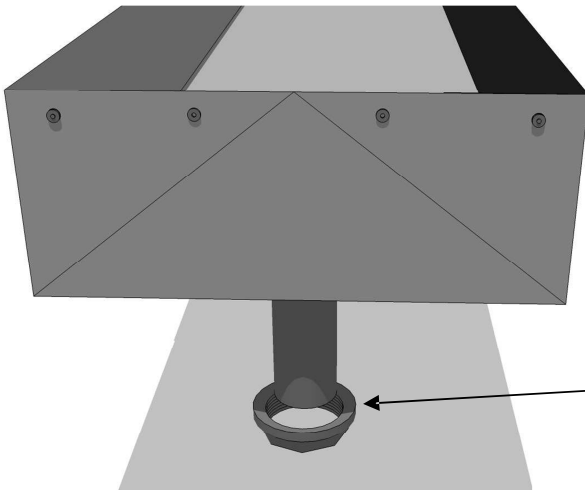
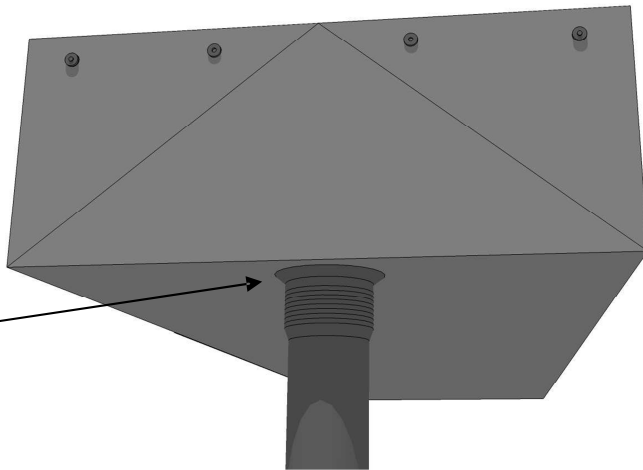
Threaded Tube



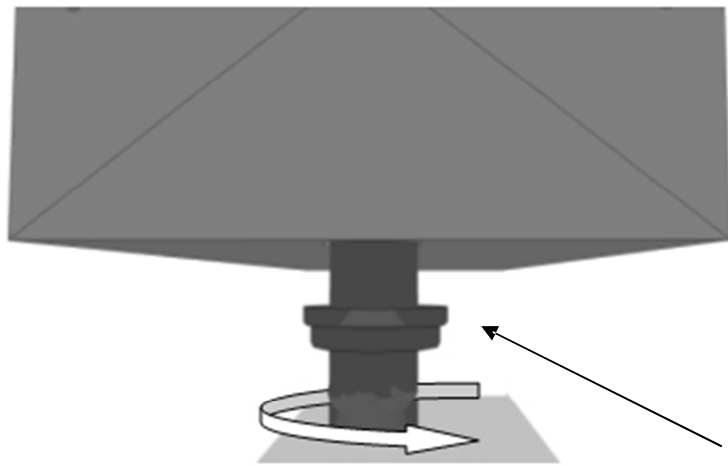


First, unscrew the lock nut & insert the threaded tube inside the drainage hole

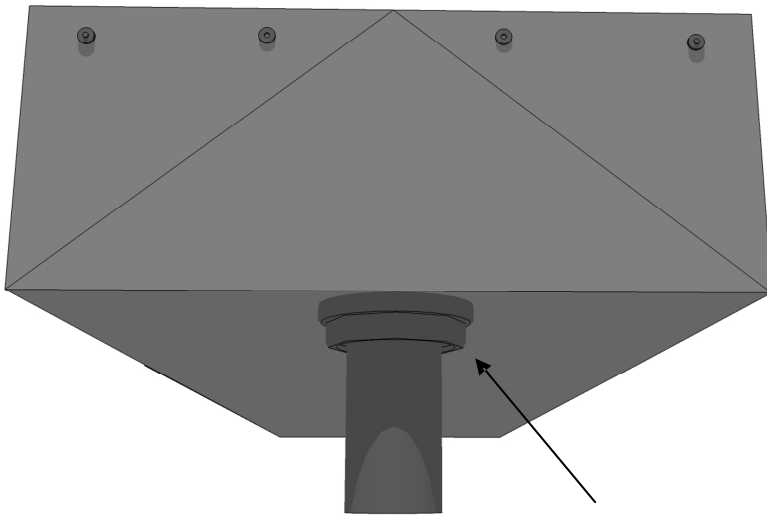
The threaded tube has to be pushed all the way through, so that the threaded part is under the trough



Screw the lock nut on the threaded tube

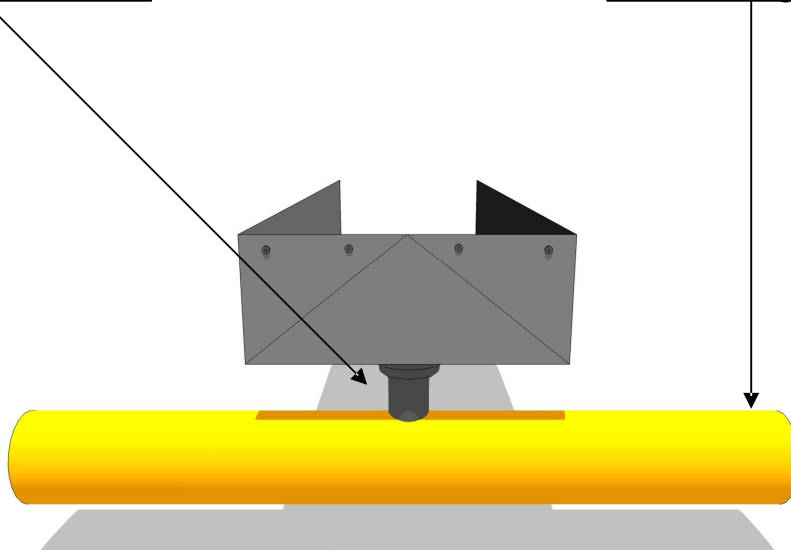


Screw in the lock nut



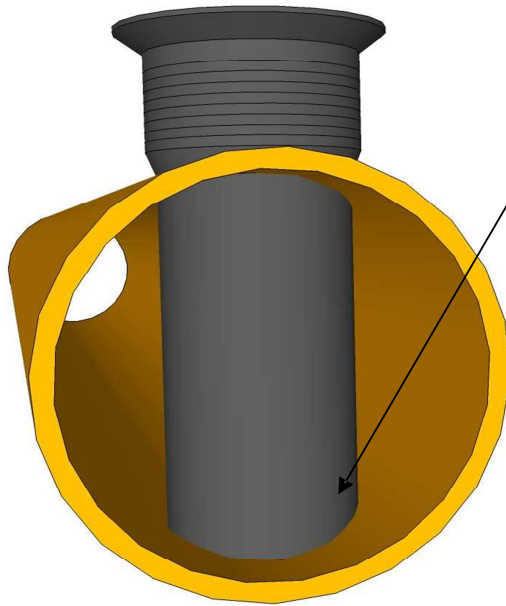
To obtain optimum waterproof tightness for better recycling/re-usage results, be sure to screw the lock nut all the way up the threaded tube

The threaded tube is then connected to the main P.V.C drainage pipe



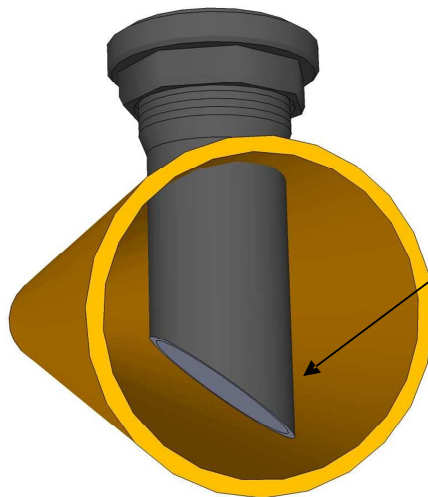
# IMPORTANT

One must check that the threaded tube **does not** reach all the way down the pipe

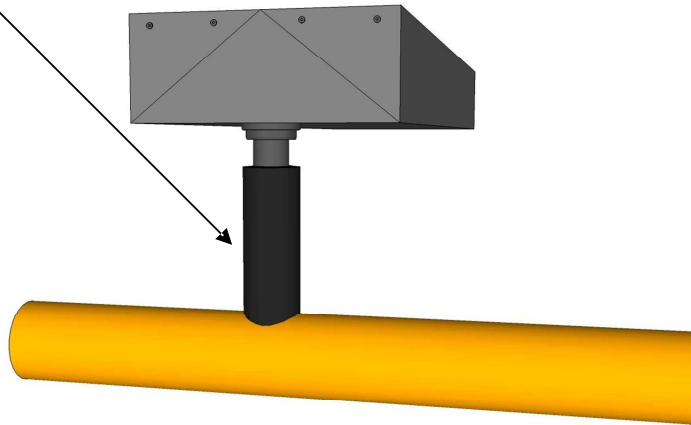


This will cause a clog which will not allow the drainage water to drain

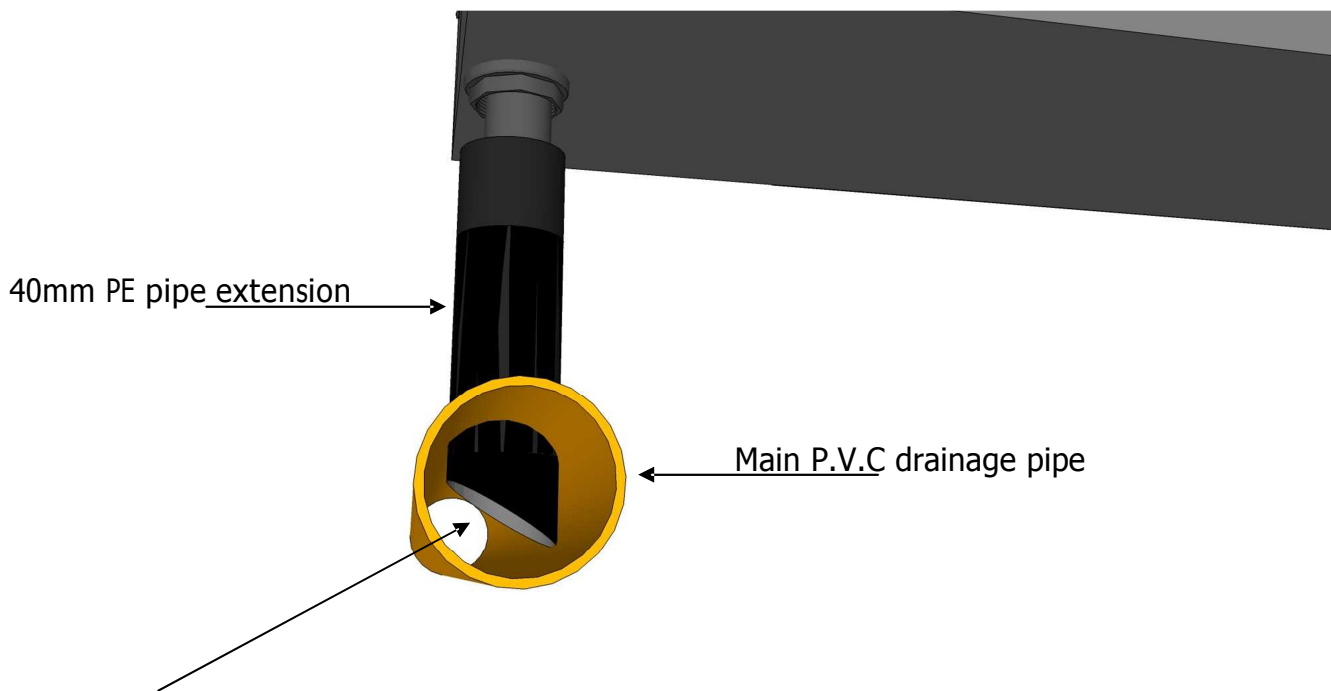
To avoid any possible clogging, MAPAL recommends cutting the drainage unit **Diagonally**



If the drainage end unit is too short to reach the main drainage pipe, you can add an extension: A 40mm PE pipe.



But, remember to cut the extension diagonally!



Diagonal cut: To avoid clogging or obstruction



MAPAL AGRICULTURAL PRODUCTS DIVISION

<http://www.mapalagro.com>

[rubzvi@mapalplastics.com](mailto:rubzvi@mapalplastics.com)

[Danny@mapalplastics.com](mailto:Danny@mapalplastics.com)