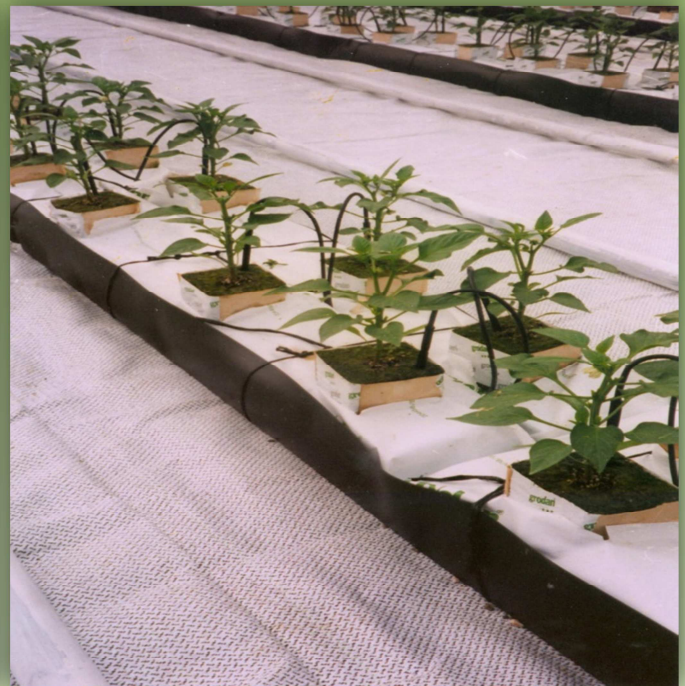


# Polypropylene Grow Bag Technology



*Specialized equipment for drainage collection from grow bags, coco peat, rock wool, perlite, peat & other combinations*

## **MAPAL GROW BAG DRAINAGE COLLECTION SYSTEMS**

Mapal offers a range of products for collecting drainage from all kind of grow bags – coco fibers, perlite, rock wool, peat and others.

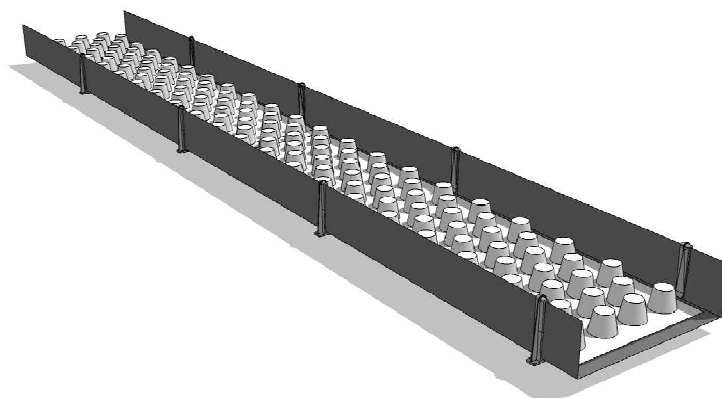
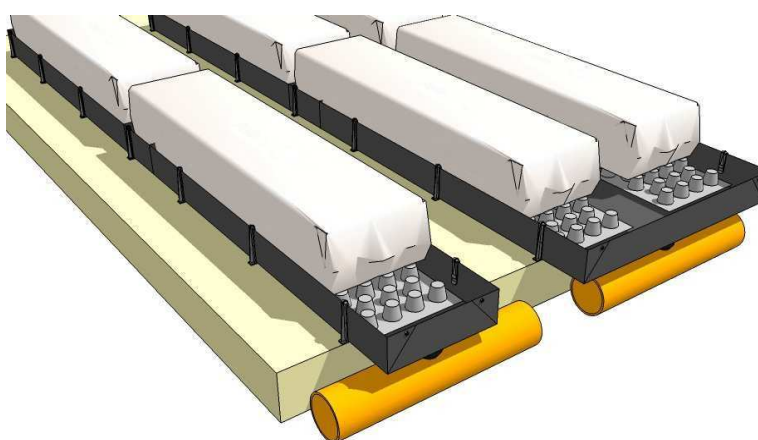
These gutters are offered in black or white and both have UV protection. The thickness ranges between 700 - 1200 micron.

### **A. DRAINAGE COLLECTION GUTTER + DRAINAGE SPACER FOR 1 OR 2 GROWBAGS.**

This product's sidewalls measure 6.5 cm and are supplied with a special clip to support the sidewalls of the gutter.

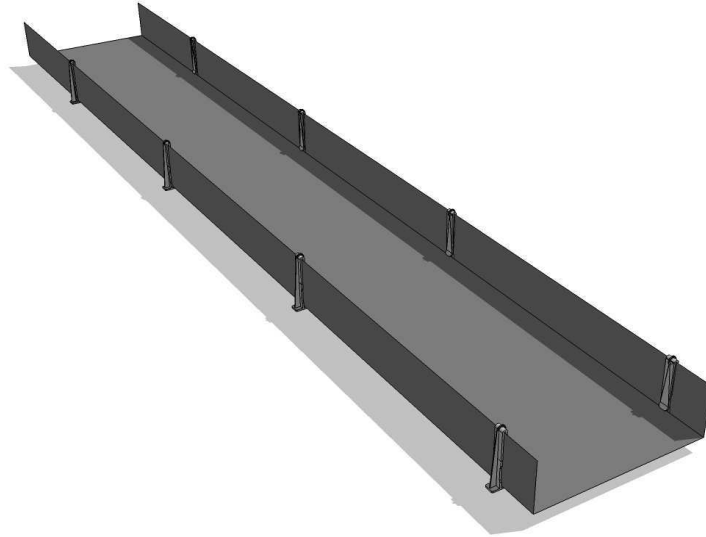
The gutter itself measures 22 cm width for a single grow bag and 42 or 50 cm for a pair of grow bags.

As with most of our products, the width and other dimensions of this product are flexible and can be ordered to fit the customers' particular requirements.



**B. DRAINAGE COLLECTION GUTTER FOR ONE OR TWO GROWBAGS**

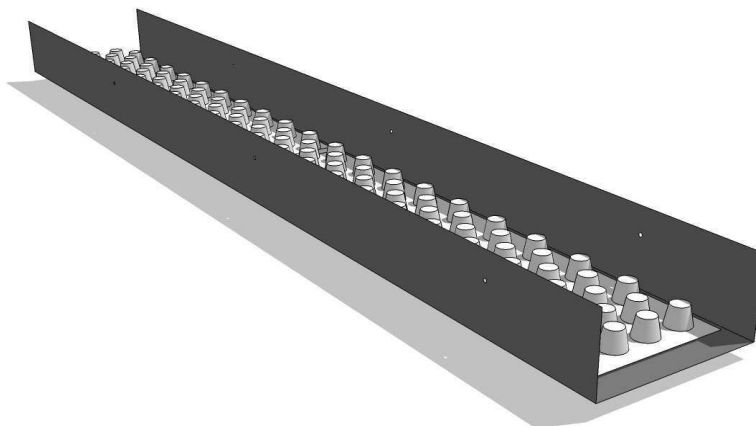
This system is the same as above, without the drainage spacer and can be supplied in any width or dimensions required.



**C. DRAINAGE COLLECTION GUTTER WITH OR WITHOUT A DRAINAGE SPACER AND WITH HOLES IN BOTH SIDES**

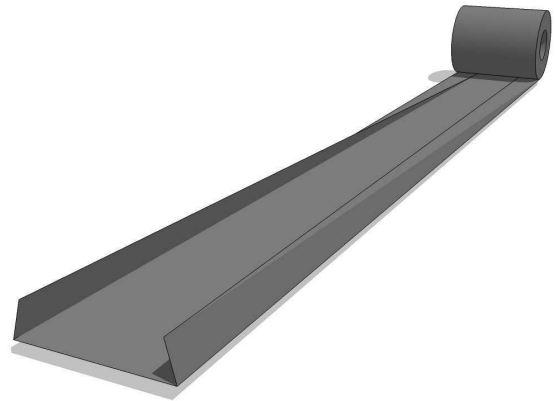
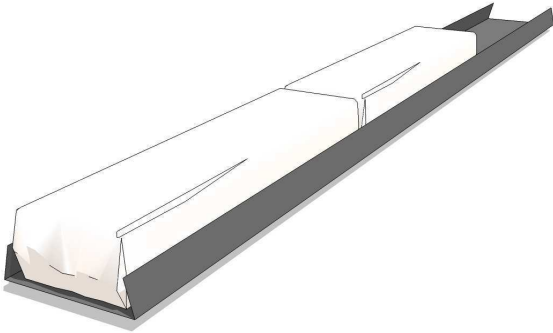
The holes in the side enable tying both walls with a string between them, adding to the stability of the trough.

The sidewalls are usually 10 cm height and the width is 22 cm. The width can vary and be produced to the required dimensions.



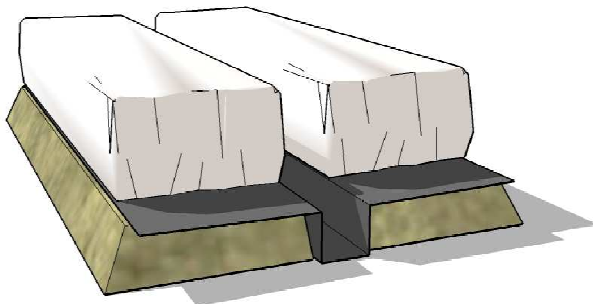
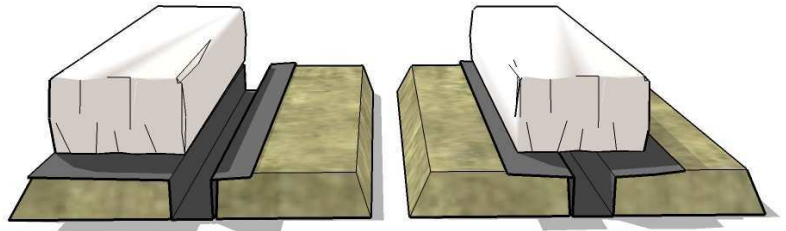
**D. ROLLED PRE-FOLDED DRAINAGE GUTTER**

This product can be supplied in any required dimension although the most requested dimensions are 5-20-5 or 5-25-5.



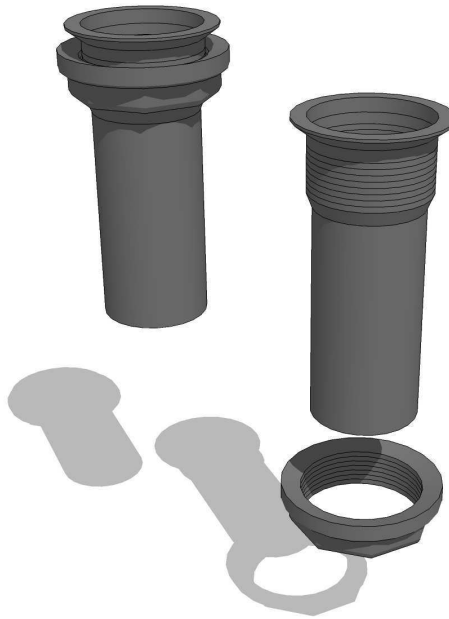
**E. MULTI FOLD DRAINAGE GUTTER**

This drainage gutter can be produced with a U or V shape, in any other shape or combination the customer requires with the particular dimensions that best suit their needs. This product is 700 to 1200 microns; it generally comes in Black but can also be supplied in White.



## **F. DRAINAGE COLLECTION UNIT**

We offer a drainage unit of 1 1/4" to be placed at the end of the drainage outlet.



All these drainage collection systems require a slope of about 1.5%.

Web: <http://www.mapalagro.com>



Rub Zvi - Mapal Plastics  
Agricultural & Industrial Division Manager  
Tel: +972-4-6764754  
Fax: +972-4-6764756  
Mobile: +972-52-8695355  
E-mail: [rubzvi@mapalplastics.com](mailto:rubzvi@mapalplastics.com)

Danny Kenton  
Logistics Manager  
Tel: +972-4-6764554  
Fax: +972-4-6764563  
Mobile: +972-54-2089868  
E-mail: [Danny@mapalplastics.com](mailto:Danny@mapalplastics.com)