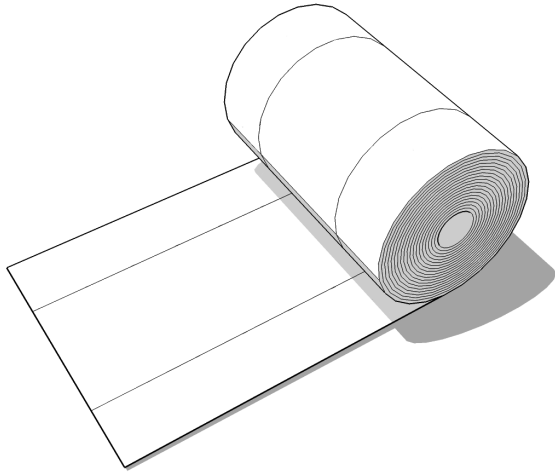


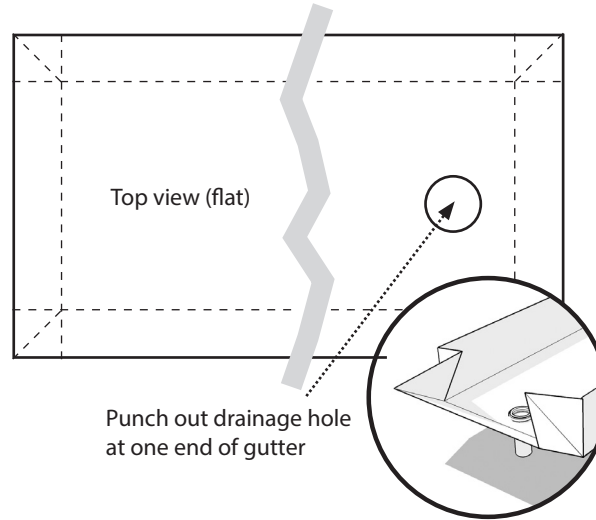
1

Spread and cut the polypropylene roll including both end sections to required length



2

Fold the two ends of the trough

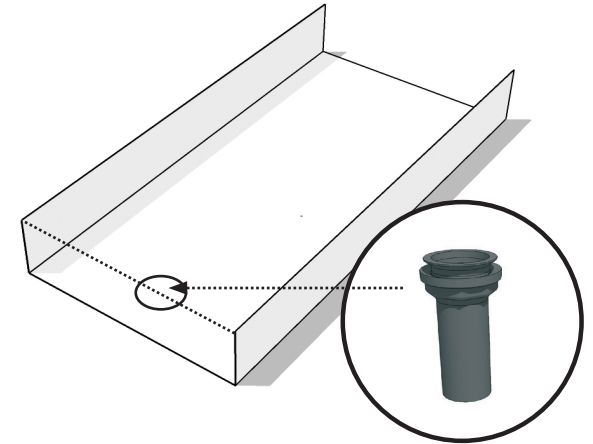


Top view (flat)

Punch out drainage hole at one end of gutter

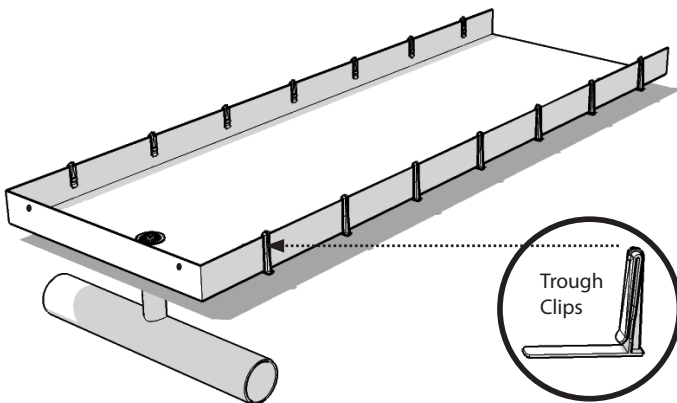
3

Fold the drainage gutter along the creases



4

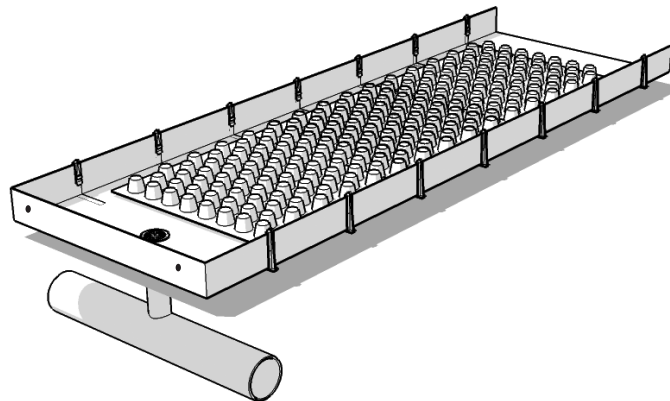
Fold and close drainage envelope. Arrange clips along both sides of envelope.



Trough Clips

5

Place drainage spacer on top of envelope (optional)



6

Insert rivets to close trough ends

